

Model	NA3 / NB2 (VT3600 / 2600 / 2630, Ges 5380/5360, Rex 1285/1270, NSA CP380/360, ABD 6770)	Volt/Hz	Date of Modification	Serial Number
Modified Article	Press Roller Shaft			
Reason for Modification	Parts standardization with other models (NA3 only)			

Draw No.	Old Parts No.	New Parts No.	Description	Rank	Q'ty Used Old→New	Inter-changeability	Parts needed for replacement by new part		Parts Catalog	
							Part No.	Description	No.	Page
	C2095505	C2215505	Press Roller Shaft (C218)		1 → 1	X/X			13	37
	C2095570	C2215570	Adjusting Plate - Exit Pawl (C218)		1 → 1	X/X			10	37
	C2095573	C2215573	Pressure On / Off Lever (C218)		1 → 1	X/O			18	37

Rank: A : Replace with new parts immediately. B : Replace with new parts at time of repair. C : Replace with new parts at time of overhaul.

Interchangeability:

(1) When old and new parts are not mutually interchangeable, use additional parts or an assembly part as indicated in "Parts needed for replacement by new part" to install the new part.

(2) The mark to the left of the slash indicates whether the old part can be used in the new machine, and the mark to the right indicates whether the new part can be used in the old machine. x = Not interchangeable o = Interchangeable

DETAILS OF MODIFICATION

The following three parts have been changed to the ones which are used in other models.

- Press Roller Shaft

A flat face has been added on the shaft as shown on the next page.

- Adjusting Plate - Exit Pawl

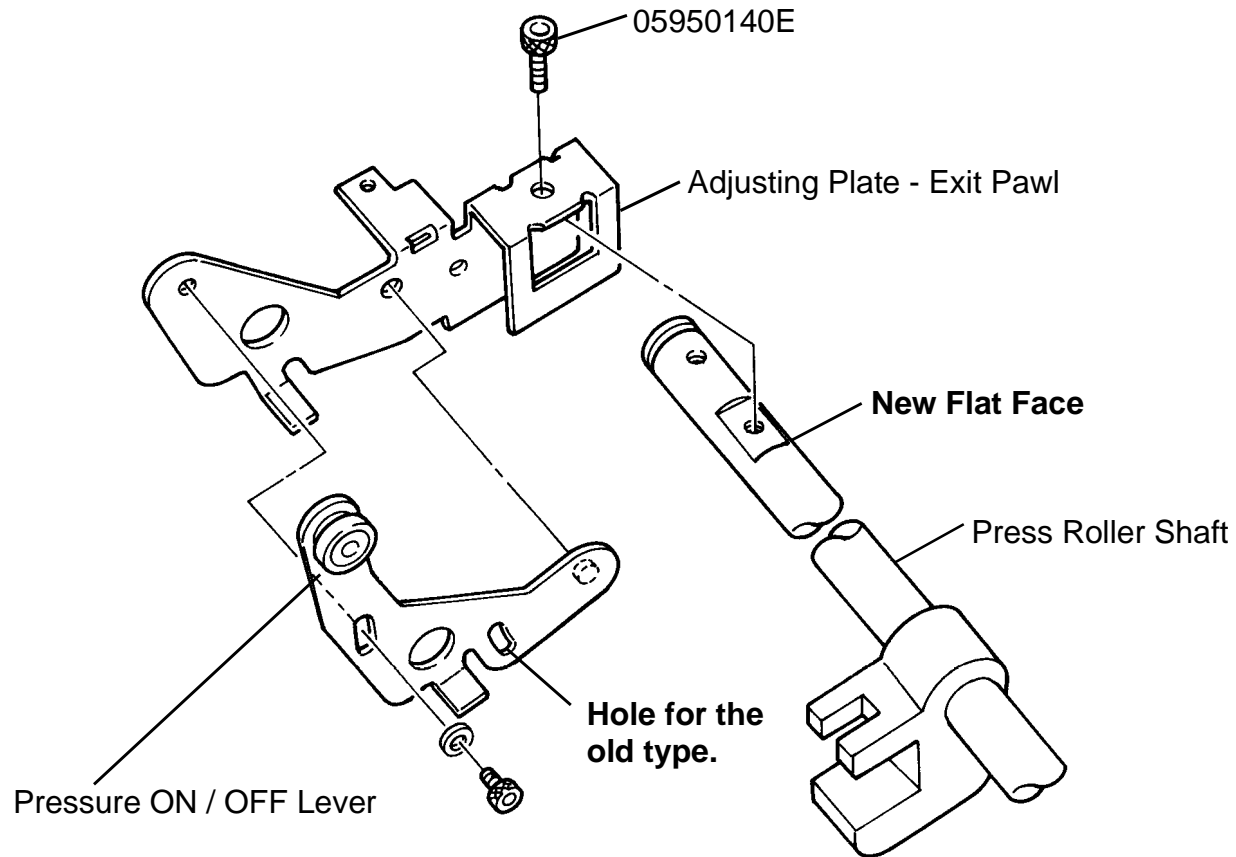
Due to the added flat face on the shaft, the connecting part has been lowered 2 mm.

- Pressure ON / OFF Lever

To ensure that this part is fixed to the adjusting plate in the exact correct position and that it does not move during operation, the distance between the two screw holes has been increased. (The position of the screw holes on the adjusting plate side has also changed.) This part can be installed with the old type adjusting plate because it has a screw hole for the old adjusting plate (C2095570). This part is needed only when the optional A4 drum is used.

The press roller shaft and exit pawl adjusting plate are fixed by a bolt (# 05950140E), and these new parts can prevent the bolt from being broken due to excessive stress.

DETAILS OF MODIFICATION



M. Iwasa, Manager
Technical Support Department

MODEL NAME	V/Hz	DESTINATION	CODE	SERIAL NUMBER
Ges 5380 / Rex 1285 / NSA CP380	120/60	USA, Canada	C218-12	55095020001
Ricoh VT3600	120/60	USA, Canada	C218-17	C3265020001
A.B. Dick 6770	120/60	USA, Canada	C218-18	A2185020001
Ges 5380 / Rex 1285 / NSA CP380	220, 240/50	Europe, Asia	C218-22	55095020047
Ricoh VT3600	220, 240/50	Europe	C218-27	C3265020201
Ricoh VT3600	220, 240/50	Asia	C218-29	C3265020204
Ges 5360 / Rex 1270 / NSA CP360	120/60	USA, Canada	C219-12	55105020001
Ricoh VT2630	120/60	USA, Canada	C219-17	From After March '95 Production
Ges 5360 / Rex 1270 / NSA CP360	220, 240/50	Europe, Asia	C219-22	55105020017
Ricoh VT2600	220, 240/50	Europe	C219-27	From After March '95 Production
Ricoh VT2600	220, 240/50	Asia	C219-29	From After March '95 Production

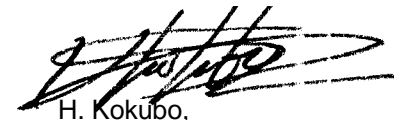
MODIFICATION BULLETIN NO. 2

ISSUED ON: July 15th, '96

Model		NA3 / NB2 (VT3600/ 2600/ 2630, Ges 5380/5360, Rex 1285/1270, NSA CP380/360, ABD 6770)					Code	Model Name	Serial Number
Modified Article		Component parts of the paper delivery table							
Reason for Modification		To stack copies more evenly on the paper delivery table							
Draw No.	Old Parts No.	New Parts No.	Description	Q'ty Used Old→New	Inter-changeability	Parts Catalog		Note	
						NO.	Page		
		C219 6150	Delivery Table Unit (C219-A4) (RICOH)	0 → 1		*	47		
		C219 6160	Delivery Table Unit (C219-LT) (NRG)	0 → 1		*	47		
		C219 6165	Delivery Table Unit (C219-A4) (NRG)	0 → 1		*	47		
	C209 6159	C227 6159	End Fence Spring - Large	2 → 2	X / O	5	47		
	C209 6181		Front Guide Plate	1 → 0				The old description was incorrect.	
		C227 6146	Rear Guide Fence	0 → 1	X / X	22	47		
	C209 6182		Rear Guide Fence	1 → 0				The old description was incorrect.	
		C227 6147	Front Guide Fence	0 → 1	X / X	23	47		
	C209 6142		Guide Fence Slider	3 → 1		16	47		
		C227 6142	Guide Fence Slider	0 → 2	X / O	*34	47	*: New Index	
	C209 6149	C227 6157	Guide Fence Spring	2 → 2	X / O	28	47		

Interchangeability:

The mark to the left of the slash indicates whether the old part can be used in the new machine, and the mark to the right indicates whether the new part can be used in the old machine.
 x = Not interchangeable o = Interchangeable



H. Kokubo,
 Priport Service Planning Section

MODIFICATION BULLETIN NO. 2

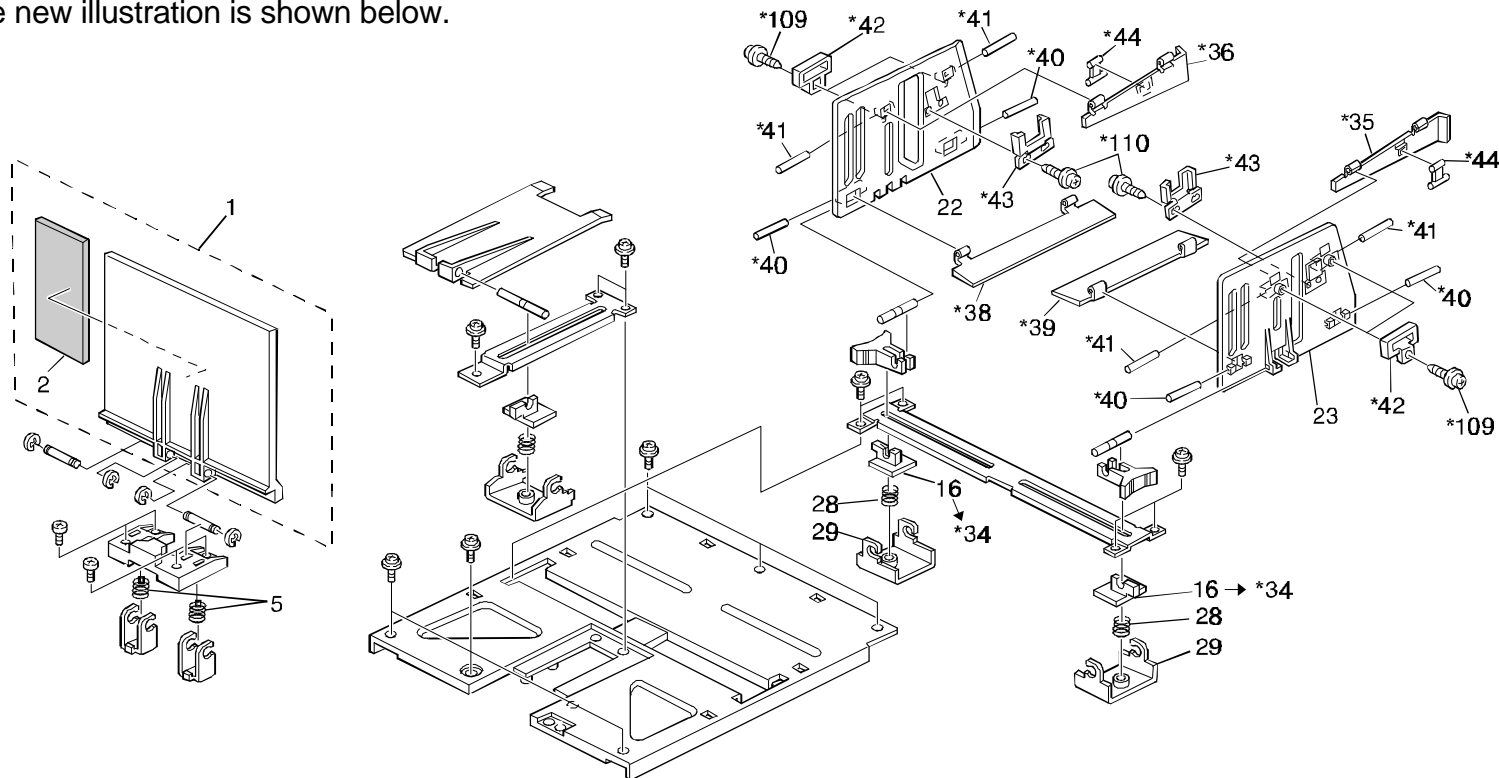
ISSUED ON: July 15th, '96

Draw No.	Old Parts No.	New Parts No.	Description	Q'ty Used Old→New	Inter-change-ability	Parts Catalog		Note
						NO.	Page	
	C2096145	C227 6145	Guide Fence Bracket	2 → 2	X / O	29	47	
	C209 6184	C227 6184	End Fence	1 → 1	X / O	1	47	
	C209 6156		Sponge Seal - 4.5 x 65 x 175	2 → 0				
		C227 6196	End Fence Cushion	0 → 1	X / X	2	47	
		C227 6166	Lower Guide - Rear Fence (A4)	0 → 1		*38	47	
		C222 6166	Lower Guide - Rear Fence (LT)	0 → 1		*38	47	
		C227 6167	Lower Guide - Front Fence (A4)	0 → 1		*39	47	
		C222 6167	Lower Guide - Rear Fence (LT)	0 → 1		*39	47	
		C227 6155	Lower Guide Shaft	0 → 4		*40	47	
		C2276156	Upper Guide Shaft	0 → 4		*41	47	
		C227 6158	Guide Stopper	0 → 4		*42	47	
		C227 6160	Upper Guide Spring Plate	0 → 2		*43	47	
		C227 6162	Upper Guide Link	0 → 2		*44	47	
		C227 6172	Upper Guide - Front Fence	0 → 1		*35	47	
		C227 6173	Upper Guide - Rear Fence	0 → 1		*36	47	
		04504008W	Philips Tapping Screw - M4x8	0 → 4		*109	47	
		04503008W	Philips Tapping Screw - M3x8	0 → 4		*110	47	

*: New Index

DETAILS OF MODIFICATION

To stack the copies more evenly on the paper delivery table, some component parts of the table have been changed as described on the previous pages. (For details, refer to RTB-012.) The new illustration is shown below.



* : New Index

MODIFICATION BULLETIN NO. 2

ISSUED ON: July 15th, '96

MODEL NAME	V/Hz	DESTINATION	CODE	SERIAL NUMBER
Ges 5380 / Rex 1285 / NSA CP380	120/60	USA, Canada	C218-12	Service part only
Ricoh VT3600	120/60	USA, Canada	C218-17	Service part only
A.B.Dick 6770	120/60	USA, Canada	C218-18	Service part only
Ges 5380 / Rex 1285 / NSA CP380	220, 240/50	Europe, Asia	C218-22	Service part only
Ricoh VT3600	220, 240/50	Europe	C218-27	Service part only
Ricoh VT3600	220, 240/50	Asia	C218-29	Service part only
Ges 5360 / Rex 1270 / NSA CP360	120/60	USA, Canada	C219-12	55106060001
Ricoh VT2630	120/60	USA, Canada	C219-17	No production
Ges 5360 / Rex 1270 / NSA CP360	220, 240/50	Europe, Asia	C219-22	55106060001
Ricoh VT2600	220, 240/50	Europe	C219-27	C3276060001
Ricoh VT2600	220, 240/50	Asia	C219-29	C3276060001

MODIFICATION BULLETIN NO. 3

ISSUED ON: July 31, '96

Model	NA3 / NB2 (VT3600/ 2600/ 2630, Ges 5380/5360, Rex 1285/1270, NSA CP380/360, ABD 6770)	Code	Model Name	Serial Number
Modified Article	Parts Catalog			
Reason for Modification	Parts Catalog Correction			

Correct your parts catalog as follows:

Page 21

1. Not Listed

NRG/ABD/RICOH	Index	Part Number	Description	Q'ty
Common	27	C2112211	Feed Cam Ass'y (C219)	1
Common	27	C2095101	Feed Cam Ass'y (C218)	1
Common	126	06240160E	Spring Pin - 4X16 mm	1

See Drawing 1

H. Kokubo,
Priport Service Planning Section



MODIFICATION BULLETIN NO. 3

2. Part Number Correction

NRG/ABD/RICOH	Index	Incorrect Part Number	Correct Part Number	Description	Q'ty
Common	111	08044046		Spring Pin - 4X16	2 → 1
			08044048	Spring Pin - 4X20 mm	

See Drawing 1

Page 23

1. Description Correction

NRG/ABD/RICOH	Index	Part Number	Incorrect Description	Correct Description
Common	14	C2095041	Paper Table	Paper Table (C218)

2. Not Listed

NRG/ABD/RICOH	Index	Part Number	Description	Q'ty
Common	14	C2195075	Paper Table (C219)	1

3. Part Number Correction

NRG/ABD/RICOH	Index	Incorrect Part Number	Correct Part Number	Description	Q'ty
NRG	8	C2182423		Paper Feed Table Cover	1 → 1
			C2102740		

Page 29

1. Part Number Correction

NRG/ABD/RICOH	Index	Incorrect Part Number	Correct Part Number	Description	Q'ty
Common		14030519		Photocoupler - TLP621	1 → 0
	114		AW020041	Photointerruptor (C218)	0 → 1
	114		AW020021	Photointerruptor - 175487-3 (C219)	0 → 1
	*25		C2192306	Drum Sensor Bracket (C219)	0 → 1
	*117		03140060Z	Philips Pan Head Screw - M4 x 6 (C219)	0 → 1

See Drawing 2

Page 37

1. Part Number Correction

NRG/ABD/RICOH	Index	Incorrect Part Number	Correct Part Number	Description	Q'ty
Common		14030456		Photosensor - EE-SB5-C3 (C218)	1 → 0
	103		AW020041	Photointerruptor (C218)	0 → 1
	103		AW020021	Photointerruptor - 175487-3 (C219)	0 → 1
	*19		C2192306	Drum Sensor Bracket (C219)	0 → 1
	*119		03140060Z	Philips Pan Head Screw - M4 x 6 (C219)	0 → 1

See Drawing 3

Page 47

1. Part Number Correction

NRG/ABD/RICOH	Index	Incorrect Part Number	Correct Part Number	Description	Q'ty
NRG	21	C2186119		Delivery Table Cover	1 → 1
			C2106251		

Page 49

1. Not Listed

NRG/ABD/RICOH	Index	Part Number	Description	Q'ty
Common	28	C2032083	Exit Pawl Bushing	1

See Drawing 4

Page 53

1. Index Number Correction

NRG/ABD /RICOH	Incorrect Index	Correct Index	Part Number	Description
NRG / RICOH	32	16	C2094670	Ink Pump

MODIFICATION BULLETIN NO. 3

2. Not Listed

NRG/ABD/RICOH	Index	Part Number	Description	Q'ty
ABD	16	C2104670	Ink Pump (ABD)	1
Common	*33	C5264633	Spacer	1
Common	*34	C5222435	Screw - M3	2

See Drawing 5

Page 57

1. Description Correction

NRG/ABD /RICOH	Index	Part Number	Incorrect Description	Correct Description
Common	10	C2004674	Drive Flange - Ink Roller (A4)	Drive Flange - Ink Roller (C219-A4)
Common	10	C2114674	Drive Flange - Ink Roller (LT)	Drive Flange - Ink Roller (C219-LT)
Common	18	C2184803	Metal Screen (A3)	Metal Screen (C218-A3/DLT)
Common	18	C5284817	Metal Screen (A4)	Metal Screen (C218-A4/LT)
Common	18	C2154690	Metal Screen (B4)	Metal Screen (C219-A4)
Common	18	C2194690	Metal Screen (LG)	Metal Screen (C219-LT)
Common	19	C2094531	Drum Shaft (A3)	Drum Shaft (C218)
Common	19	C2114650	Drum Shaft (A4/LT)	Drum Shaft (C219-LT)
Common	19	C2004650	Drum Shaft (B4)	Drum Shaft (C219-A4)

MODIFICATION BULLETIN NO. 3

NRG/ABD /RICOH	Index	Part Number	Incorrect Description	Correct Description
Common	33	C2004682	Screen Front Plate (C219)(B4)	Screen Front Plate (C219-A4)
Common	33	C2114682	Screen Front Plate (C219)(LT)	Screen Front Plate (C219-LT)
Common	35	C2004683	Screen Rear Plate (C219)(B4)	Screen Rear Plate (C219-A4)
Common	35	C2114683	Screen Rear Plate (C219)(LT)	Screen Rear Plate (C219-LT)
Common	35	C2184683	Screen Rear Plate (C218)	Screen Rear Plate (C218-A3/DLT)
Common	37	C5284851	Tetron Screen- A4	Tetron Screen (C218-A4/LT)
Common	37	C2194583	Tetron Screen - B4	Tetron Screen (C219-A4)
Common	37	C2194593	Tetron Screen - LG	Tetron Screen (C219-LT)
Common	39	C2094540	Screen Plate Spring (C218)	Screen Plate Spring (C218-A3/DLT)
Common	41	C2184565	Rear Drum Flange (C218)	Rear Drum Flange (C218-A3/DLT)
Common	42	C2184840	Master Stopper - 300x3.5 (A3/A4)	Master Stopper - 300x3.5 (C218)
Common	42	C2194596	Master Stopper (LT)	Master Stopper (C219-LT)
Common	42	C2194840	Master Stopper - 266x22 (B4)	Master Stopper - 266x22 (C219-A4)
Common	44	C2184956	Stopper Plate (A3/A4)	Stopper Plate (C218)
Common	101	11021341	Connector - 8P	Connector - 8P (C219)

MODIFICATION BULLETIN NO. 3

2. Not Listed

NRG/ABD/RICOH	Index	Part Number	Description	Q'ty
Common	35	C2094683	Screen Rear Plate (C218-A4/LT)	1
Common	39	C5274549	Screen Plate Spring (C218-A4/LT)	2
Common	41	C5594900	Rear Drum Flange (C218-A4/LT)	1
Common	48	C5268172	Relay Harness - A3 Color Indication	1
Common	49	C5288172	Relay Harness - A4/LT Drum	1
Common	50	C5288173	Short Connector - A4/LT Color Indication	1
Common	101	11022098	Connector - 12P (C218)	1

See Drawing 6

3. Part Number Correction

NRG/ABD/RICOH	Index	Incorrect Part Number	Correct Part Number	Description	Q'ty
Common	36	C2184836	C2184936	Drum Clamper Ass'y (C218)	1 → 1
Common	37	C2184839	C2184838	Tetron Screen - A3	1 → 1
				Tetron Screen (C218-A3/DLT)	

4. Index Number and Description Correction

NRG/ABD/RICOH	Incorrect Index	Correct Index	Part Number	Description
Common	1		C2098169	Short Harness (C218)
		47		Short Harness - A3 Black Drum (C218)

Page 59

1. Description Correction

NRG/ABD/RICOH	Index	Part Number	Incorrect Description	Correct Description
Common	3	C2184594	Rear Bank Plate	Rear Bank Plate (C218)
Common	14	C2184592	Front Bank Plate	Front Bank Plate (C218)

2. Not Listed

NRG/ABD/RICOH	Index	Part Number	Description	Q'ty
Common	3	C2174594	Rear Bank Plate (C219)	1
Common	14	C2174592	Front Bank Plate (C219)	1
Common	*29	C2174597	Sponge - Rear Bank Plate	1
Common	*30	C2174596	Sponge - Front Bank Plate	1

See Drawing 7

MODIFICATION BULLETIN NO. 3

NRG/ABD/RICOH	Index	Part Number	Description	Q'ty
Common	*31	C2184558	Front Doctor Roller Ring (C218)	1
Common	*32	C2184559	Rear Doctor Roller Ring (C218)	1
Common	*33	C2184560	Ring Spring (C218)	2
Common	*34	C2094713	Hose Clamp (C218)	2

See Drawing 7

See Drawing 8

Page 69

1. Description Correction

NRG/ABD /RICOH	Index	Part Number	Incorrect Description	Correct Description
Common	7	C2194154	Spring - LG	Spring - LG (C219-LT)
Common	7	C2194007	Spring - B4	Spring - B4 (C219-A4)

NRG/ABD /RICOH	Index	Part Number	Incorrect Description	Correct Description
Common	30	C2092587	Pad - Plotter Lower Cover	Pad - Plotter Lower Cover (C218)
Common	31	C2092585	Plotter Base Pad -Small	Plotter Base Pad - Small (C218)
Common	32	C2092599	Lower Pad	Lower Pad (C218)

Page 71

1. Description Correction

NRG/ABD/RICOH	Index	Part Number	Incorrect Description	Correct Description
Common	1	C2184232	Cutter Unit Cover (LG)	Cutter Unit Cover - LT (C218)
Common	1	C2184234	Cutter Unit Cover (B4)	Cutter Unit Cover - A4 (C218)
Common	20	C2033043	Motor Plate	Motor Plate (C218)

2. Part Number Correction

NRG/ABD/RICOH	Index	Incorrect Part Number	Correct Part Number	Description	Q'ty
Common	1	C2194135		Cutter Unit Cover (A3/A4)	1 → 0
			C2194232	Cutter Unit Cover (C219- A4)	0 → 1
			C2194234	Cutter Unit Cover (C219- LT)	0 → 1
Common	12	C2194245		Platen Roller (C219)	1 → 0
			C2194244	Platen Roller - LG (C219-LT)	0 → 1
			C2194044	Platen Roller - B4 (C219-A4)	0 → 1

Page 77

1. Description Correction

NRG/ABD/RICOH	Index	Part Number	Incorrect Description	Correct Description
Common	27	C2193522	1st Upper Eject Roller (C219)	1st Upper Eject Roller (C219-A4)
Common	30	C2193724	1st Lower Eject Roller (C219)	1st Lower Eject Roller (C219-LT)

2. Not Listed

NRG/ABD/RICOH	Index	Part Number	Description	Q'ty
Common	27	C2193722	1st Upper Eject Roller (C219-LT)	1
Common	30	C2193524	1st Lower Eject Roller (C219-A4)	1

3. Part Number Correction

NRG/ABD/RICOH	Index	Incorrect Part Number	Correct Part Number	Description	Q'ty
Common	20	C2193256	C2193526	Upper Pulley Shaft (C219)(A4)	1 → 1

4. Delete the following item:

NRG/ABD/RICOH	Index	Part Number	Description
Common	35	C2093592	Worm Wheel

See Drawing 10

Page 79

1. Description Correction

NRG/ABD/RICOH	Index	Part Number	Incorrect Description	Correct Description
Common	7	C2193538	Wire	Wire (C219)
Common	15	C2093531	Pressure Plate (LT)	Pressure Plate (C218)
Common	15	C2193531	Pressure Plate - A4	Pressure Plate (C219)
Common	22	C2103526	Master Eject Unit Frame	Master Eject Unit Frame (C218)

2. Not Listed

NRG/ABD/RICOH	Index	Part Number	Description	Q'ty
Common	22	C2193727	Master Eject Unit Frame (C219)	1

3. Part Number Correction

NRG/ABD/RICOH	Index	Incorrect Part Number	Correct Part Number	Description	Q'ty
Common	112	08010118		Screw - Washer - M4x8	2 → 0
			→ 09604008Z	Screw - Washer - M4x8 (C218)	0 → 2
			→ 09654010W	Screw - Washer - M4x8 (C219)	0 → 2

Page 81

1. Part Number Correction

NRG/ABD/RICOH	Index	Incorrect Part Number	Correct Part Number	Description	Q'ty
NRG	9	C2182460	C2102762	Master Eject Cover	1 → 1
NRG	10	C2182455	C2102760	Master Eject Door	1 → 1
Common	11	C2193774	C2193574	Blower Fan Bracket (C219)	1 → 1

Page 83

1. Description Correction

NRG/ABD /RICOH	Index	Part Number	Incorrect Description	Correct Description
Common	6	C2182004	Safety Switch Bracket (C218-A4)(C219)	Safety Switch Bracket (C218-A4)(C219-A4)
Common	6	C2182070	Safety Switch Bracket (C218-LT)	Safety Switch Bracket (C218-LT)(C219-LT)
Common	7	C2003123	Support Plate - Safety Switch (C218-A4)(C219)	Support Plate - Safety Switch (C218-A4)(C219-A4)
Common	7	C2182173	Support Plate - Safety Switch (C218-LT)	Support Plate - Safety Switch (C218-LT)(C219-LT)
Common	8	C2098191	Microswitch - VAQ - 4GK	Microswitch - VAQ - 4GK (C218)

MODIFICATION BULLETIN NO. 3

NRG/ABD /RICOH	Index	Part Number	Incorrect Description	Correct Description
Common	24	C2182175	Sensor Bracket	Sensor Bracket (C218-LT)(C219-LT)
Common	26	C2182018	Safety Switch Cover (C218-A4)(C219)	Safety Switch Cover (C218-A4)(C219-A4)
Common	26	C2182072	Safety Switch Cover (C218-LT)	Safety Switch Cover (C218-LT)(C219-LT)
Common	28	C2174426	Shoulder Screw (C218-LT)	Shoulder Screw (C218-LT)(C219-LT)
Common	29	C2182178	Spring Plate (C218-LT)	Spring Plate (C218-LT)(C219-LT)
Common	30	C2182176	Lever Bracket (C218-LT)	Lever Bracket (C218-LT)(C219-LT)
Common	31	C2182177	Safety Switch Lever (C218-LT)	Safety Switch Lever (C218-LT)(C219-LT)
Common	32	C2182179	Stepped Screw (C218-LT)	Stepped Screw (C218-LT)(C219-LT)
Common	33	C2182172	Safety Switch Lever (C218-LT)	Safety Switch Lever (C218-LT)(C219-LT)
Common	34	C2182071	Safety Switch Stopper (C218-LT)	Safety Switch Stopper (C218-LT)(C219-LT)
Common	35	C2015125	Shoulder Screw - M4	Shoulder Screw - M4 (C218-LT)(C219-LT)
Common	107	12041442	Microswitch	Microswitch (C218-LT)(C219-LT)

MODIFICATION BULLETIN NO. 3

2. Not Listed

NRG/ABD/RICOH	Index	Part Number	Description	Q'ty
Common	36	C2182190	Sensor Bracket (C218-A4)(C219-A4)	1
Common	37	C2182185	Stepper Screw (C218-LT)(C219-LT)	1
Common	107	12042267	Microswitch (C218-A4)(C219-A4)	1
Common	121	04330060W	Tapping Screw - M3x6 (C218-A4)(C219-A4)	1

See Drawing 12

See Drawing 11

3. Delete the following item:

NRG/ABD/RICOH	Index	Part Number	Description
Common	22	C2198296	Safety Switch (C219)

4. Index Number & Description Correction

NRG/ABD /RICOH	Incorrect Index	Correct Index	Part Number	Incorrect Description	Correct Description
Common	6	38	C2182171	Safety Switch Bracket - Eject Box (A4)	Safety Switch Bracket - Eject Box (C218-LT)(C219-LT)
Common	6	38	C2102171	Safety Switch Bracket - Eject Box	Safety Switch Bracket - Eject Box (C218-A4)(C219-A4)

See Drawing 11

Page 85

1. Description Correction

NRG/ABD /RICOH	Index	Part Number	Incorrect Description	Correct Description
Common	8	C2188093	IC - 512KX8150NS (NA)(French)	IC - 512KX8150NS (NA)(French)(C218-LT)
Common	17	AG070004	Magnetic Catch (C219)	Magnetic Catch (C219-A4)
Common	17	50540536	Magnetic Catch Ass'y (C218)	Magnetic Catch Ass'y (C218)(C219-LT)
Common	18	C2003755	Plate Spring	Plate Spring (C218)(C219-A4)
Common	19	C2192419	Safety Switch Bracket (C219)	Safety Switch Bracket (C219-A4)
Common	19	C2182180	Safety Switch Bracket (C219-LT)	Safety Switch Bracket (C218-LT)(C219-LT)
Common	30	C2182172	Safety Switch Lever (C218-LT)	Safety Switch Lever (C218-LT)(C219-LT)
Common	31	C2182173	Support Plate - Safety Switch (C218-LT)	Support Plate - Safety Switch (C218-LT)(C219-LT)
NRG	32	C2098271	Key Counter (AB Dic)	Master Counter (NRG)
Common	119	03130050Z	Philips Screw - 3x5 (C218-LT)	Philips Screw - 3x5 (C218-LT)(C219-LT)

See Drawing 16

MODIFICATION BULLETIN NO. 3

2. Not Listed

NRG/ABD/RICOH	Index	Part Number	Description	Q'ty
Common	8	C2198459	IC - 512KX8150NS (French)(C219-LT)	1
Common	8	C2198461	IC- 512KX8150NS (Spanish)(C219-LT)	1
Common	27	12041442	Microswitch (C218)	1
Common	120	12042267	Micro Switch - V-162-3C25 (C218-A4)(C219-A4)	1
Common	120	12041442	Micro Switch (C218-LT)(C219-LT)	1
Common	121	11070782	Circuit Breaker (C218-A4)(C219-A4)	1
Common	121	11070788	Circuit Breaker (C218-LT)(C219-LT)	1

See Drawing 14

See Drawing 15

See Drawing 14

3. Part Number Correction

NRG/ABD/RICOH	Index	Incorrect Part Number	Correct Part Number	Description	Q'ty
Common	29	AA143005		Stepped Screw - M4x2.5 (C219-LT)	1 → 1
			C2182185	Stepped Screw - M4x2.5 (C218-LT)(C219-LT)	

4. Delete the following items:

NRG/ABD/RICOH	Index	Part Number	Description
NRG	32	C2008443	Master Counter (NRG)
Common	114	C3130050Z	Philips Screw - 3x5 (C218-LT)

5. Index Number and Description Correction

NRG/ABD /RICOH	Incorrect Index	Correct Index	Part Number	Description
Common	7		C2188095	IC - 512KX8150NS (NA)(Spanish)
		8		IC - 512KX8150NS (NA)(Spanish)(C218-LT)

Page 87

1. Description Correction

NRG/ABD /RICOH	Index	Part Number	Incorrect Description	Correct Description
NRG	14	C2185151	Cassette Body - Large (AB Dic)	Cassette Body - Large (ABD/NRG)
NRG	17	C2185182	Decal - Magnet - Large (AB Dic)	Decal - Magnet - Large (ABD/NRG)
NRG	22	C2185164	Cassette Body - Small (AB Dic)	Cassette Body - Small (ABD/NRG)
NRG	23	C2185183	Decal - Magnet - Small (AB Dic)	Decal - Magnet - Small (ABD/NRG)
NRG	24	C2185181	Decal - Paper Size - Small (AB Dic)	Decal - Paper Size - Small (ABD/NRG)
NRG	25	C2185180	Decal - Paper Size - Large (AB Dic)	Decal - Paper Size - Large (ABD/NRG)

MODIFICATION BULLETIN NO. 3

2. Part Number Correction

NRG/ABD/RICOH	Index	Incorrect Part Number	Correct Part Number	Description	Q'ty
Common	26	C5292195		Cushion - 100x20x10	1 → 1
			C5292915		

3. Delete the following items:

NRG/ABD/RICOH	Index	Part Number	Description
NRG	14	C5305010	Cassette Body Large (NRG)
NRG	17	C5305015	Decal - Magnet - Large (NRG)
NRG	22	C5295010	Cassette Body - Small (NRG)
NRG	23	C5295010	Decal Magnet - Small (NRG)
NRG	24	C2185181	Decal - Paper Size - Small (NRG)
NRG	25	C2185180	Decal - Paper Size - Large (NRG)

Page 89

1. Description Correction

NRG/ABD /RICOH	Index	Part Number	Incorrect Description	Correct Description
NRG	1	C5462020	Left Door	Left Door (ABD)
NRG	2	C5462030	Door Grip	Door Grip (ABD)
NRG	4	C5252032	Door Catch	Door Catch (ABD)
NRG	5	C5462025	Right Door	Right Door (ABD)
NRG	10	C5262200	Option Drum Case	Option Drum Case (ABD)
NRG	12	C5262213	Decal - Drum Set	Decal - Drum Set (ABD)
NRG	13	C5262250	Drum Decal - Black	Drum Decal - Black (ABD)
NRG	13	C5262251	Drum Decal - Red	Drum Decal - Red (ABD)
NRG	13	C5262252	Drum Decal - Blue	Drum Decal - Blue (ABD)
NRG	13	C5262253	Drum Decal - Green	Drum Decal - Green (ABD)
NRG	13	C5262254	Drum Decal - Brown	Drum Decal - Brown (ABD)

MODIFICATION BULLETIN NO. 3

2. Not Listed

NRG/ABD/RICOH	Index	Part Number	Description	Q'ty
NRG	10	C5332880	Option Drum Case (NRG)	1
NRG	12	C5332172	Decal - Drum Set (NRG)	1
NRG	13	C5332150	Drum Decal - Black (NRG)	1
NRG	13	C5332151	Drum Decal - Red (NRG)	1
NRG	13	C5332152	Drum Decal - Blue (NRG)	1
NRG	13	C5332153	Drum Decal - Green (NRG)	1
NRG	13	C5332154	Drum Decal - Brown (NRG)	1

3. Part Number Correction

NRG/ABD/RICOH	Index	Incorrect Part Number	Correct Part Number	Description	Q'ty
NRG/ABD	11	C5262210		Decal - Drum Case	1 → 0
			C5562120	Decal - Drum Case (ABD)	0 → 1
			C5562711	Decal - Drum Case (NRG)	0 → 1

Page 125

1. Description Correction

NRG/ABD/RICOH	Index	Part Number	Incorrect Description	Correct Description
NRG	23	C2198690	Operating Instructions - AA English (C219)(NRG)	Operating Instructions - A4 English (C219)(NRG)

2. Not Listed

NRG/ABD/RICOH	Index	Part Number	Description	Q'ty
NRG	23	C2188697	Operating Instructions - LT English (C218)	1
NRG	23	C2198697	Operating Instructions - LT English (C219)	1
RICOH	23	C2198607	Operating Instructions - LT English (C219)	1
RICOH	23	C2188608	Operating Instructions - Asia English (C218)	1

3. Part Number Correction

NRG/ABD/RICOH	Index	Incorrect Part Number	Correct Part Number	Description	Q'ty
Common	13	C2095180	C2185180	Decal - Paper Size - Large	1 → 1
Common	13	C2095186	C2185181	Decal - Paper Size - Small	1 → 1
Common	14	C2095182	C2185182	Decal - Magnet - Large	1 → 1
Common	14	C2095183	C2185183	Decal - Magnet - Small	1 → 1

MODIFICATION BULLETIN NO. 3

4. Delete the following items:

NRG/ABD/RICOH	Index	Part Number	Description
RICOH	23	C2188601	Operating Instructions - A4 German (C218)
RICOH	23	C2188602	Operating Instructions - A4 French (C218)
RICOH	23	C2188603	Operating Instructions - A4 Italian (C218)
RICOH	23	C2188604	Operating Instructions - A4 Spanish (C218)
RICOH	23	C2198600	Operating Instructions - A4 English (C219)
RICOH	23	C2198601	Operating Instructions - German (C219)
RICOH	23	C2198602	Operating Instructions - French (C219)
RICOH	23	C2198603	Operating Instructions - Italian (C219)
RICOH	23	C2198604	Operating Instructions - Spanish (C219)
RICOH	23	C2188600	Operating Instructions - A4 English (C218)

Page 127

1. Not Listed

NRG/ABD/RICOH	Index	Part Number	Description	Q'ty
Common	1	C2074010	Master Flange - LT (C219)	1
Common	1	C2134041	Master Flange - A4 (C219)	1

MODIFICATION BULLETIN NO. 3

2. Delete the following items:

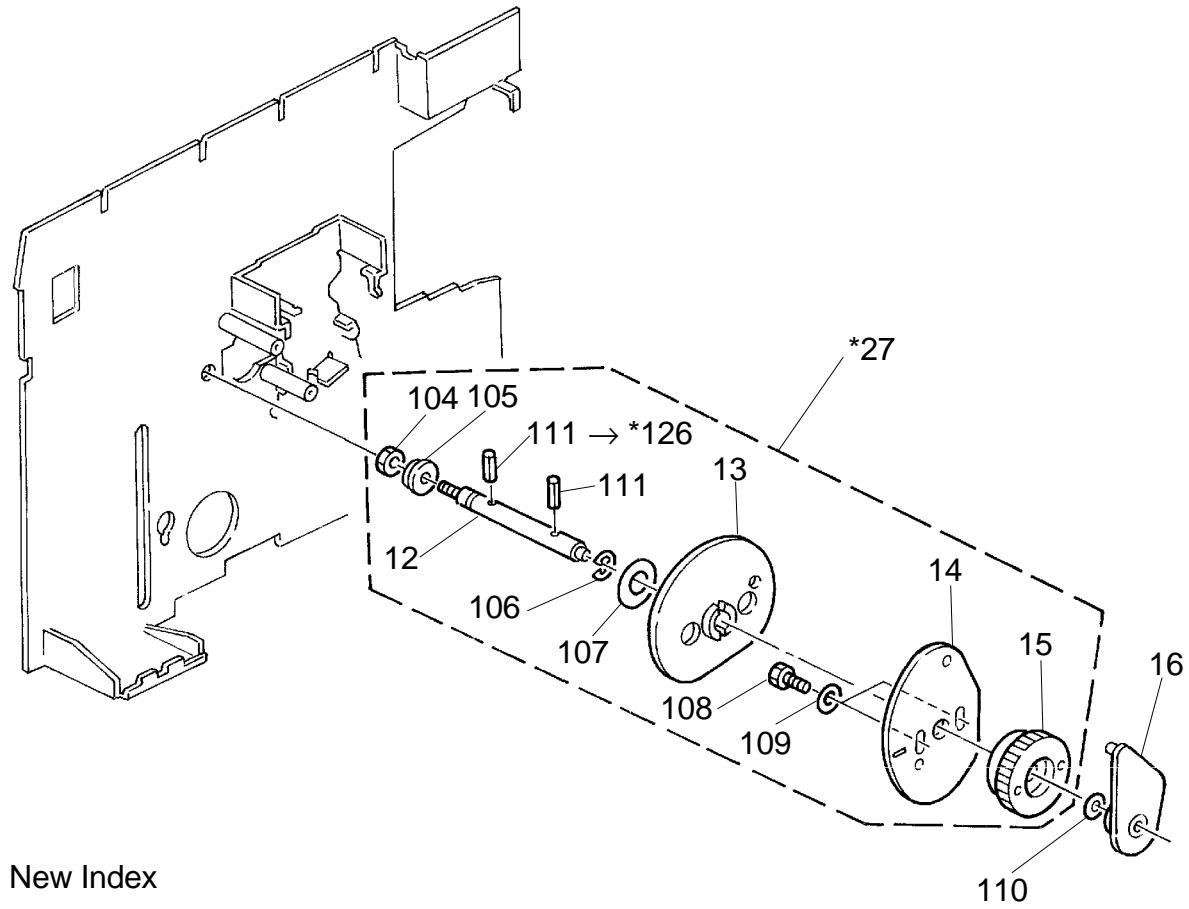
These items were doubled on page 85.

NRG/ABD/RICOH	Index	Part Number	Description
Common	3	C2188093	IC - UVEPROM512KX8150NS
Common	3	C2188095	IC - UVEPROM512KX8150NS

These items have moved to page 85 from page 127.

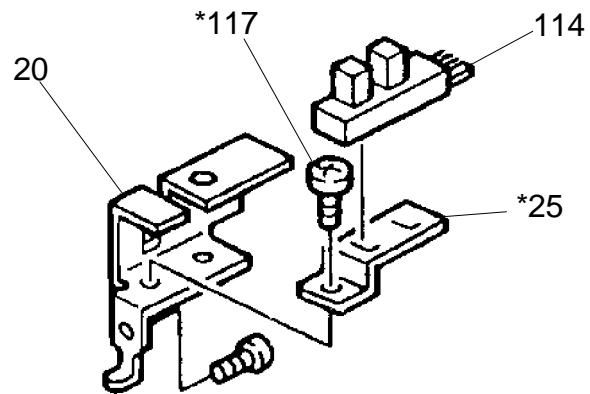
NRG/ABD/RICOH	Index	Part Number	Description
Common	3	C2198459	IC - MN5602RTC
Common	3	C2198461	IC - MN5602RTC

Drawing 1 (Page 20)



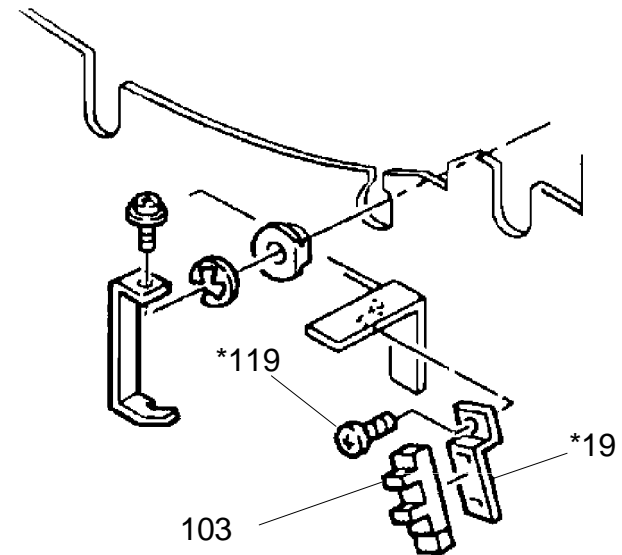
*: New Index

Drawing 2 (Page 28)



C219 Only

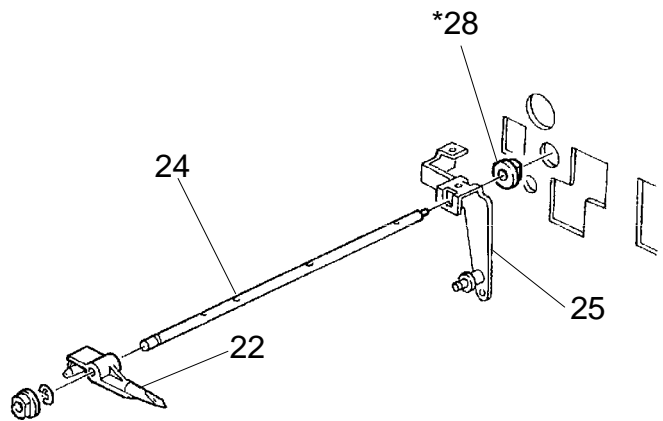
Drawing 3 (Page 36)



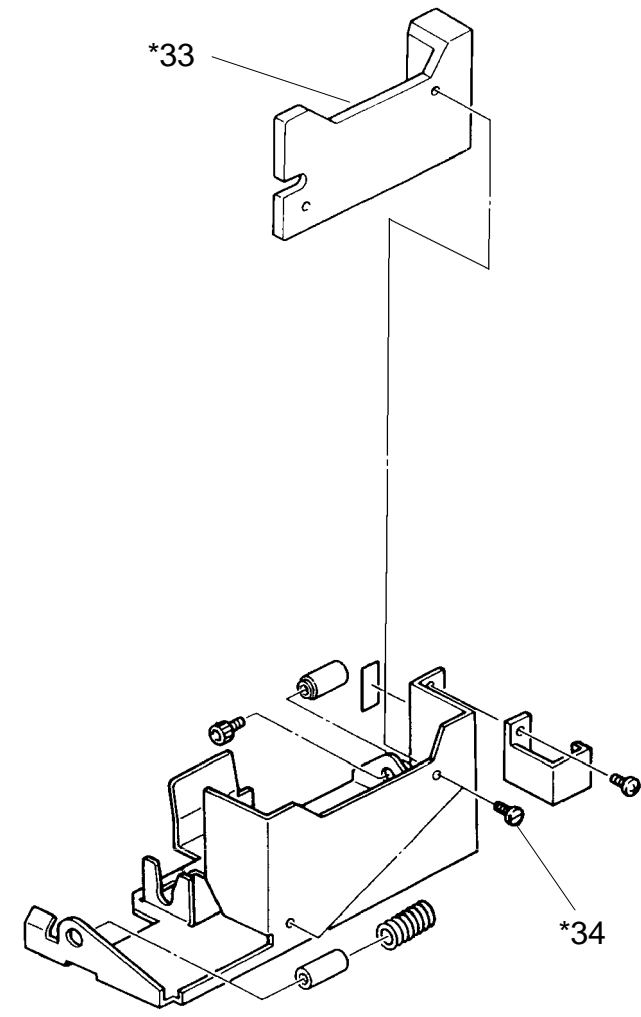
C219 Only

*: New Index

Drawing 4 (Page 48)

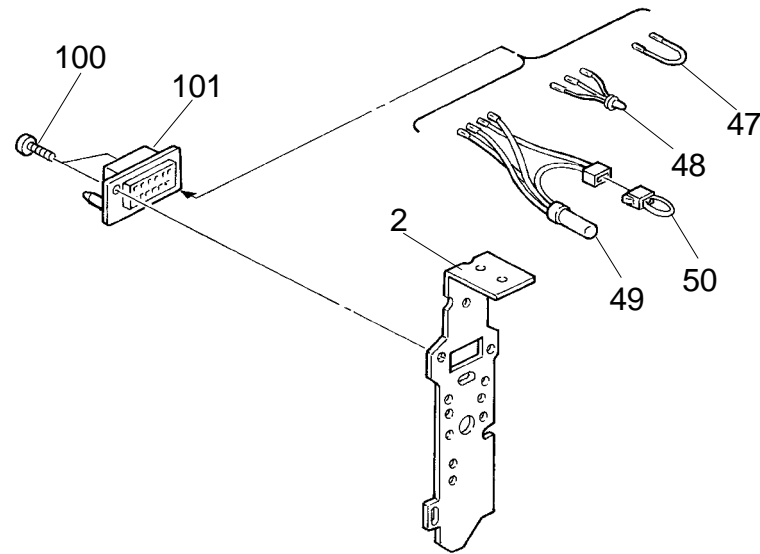


Drawing 5 (Page 52)

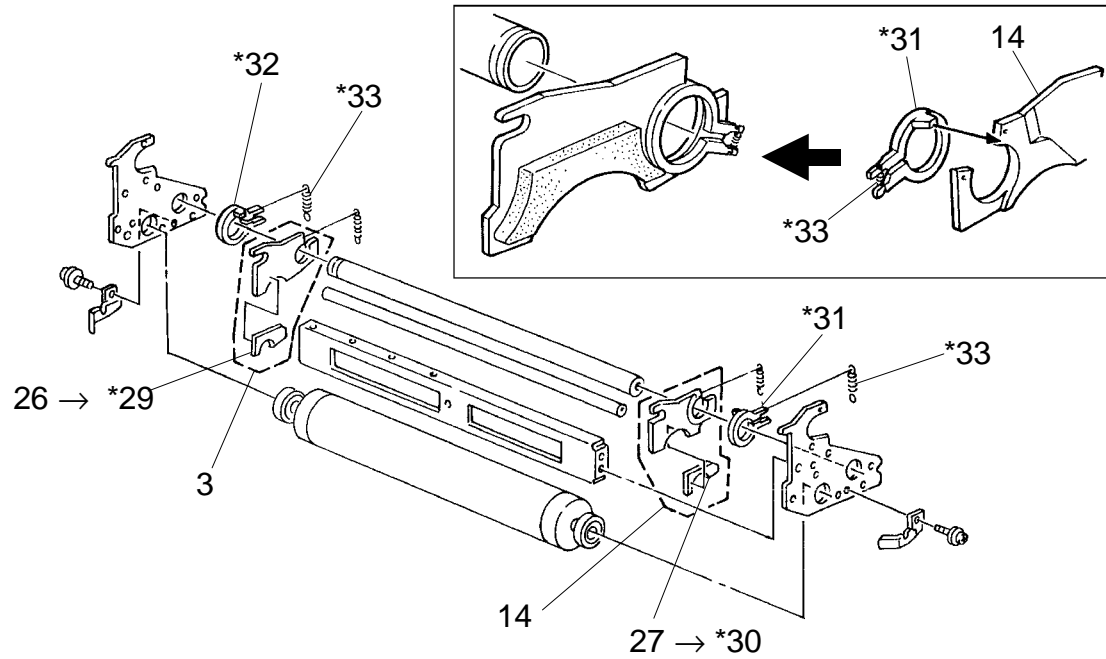


*: New Index

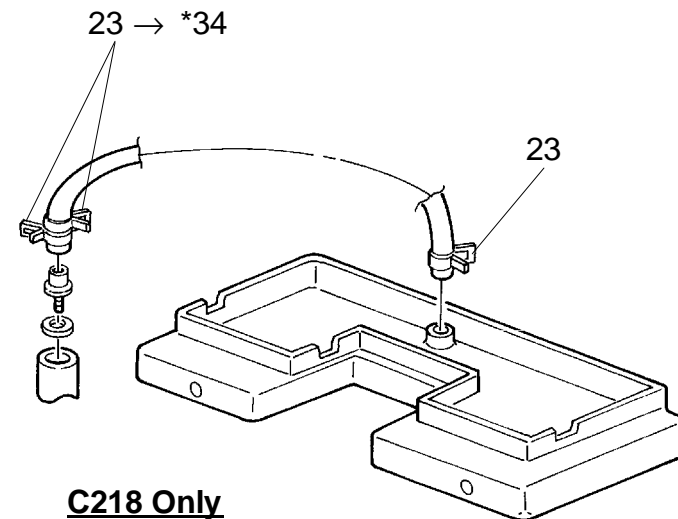
Drawing 6 (Page 56)



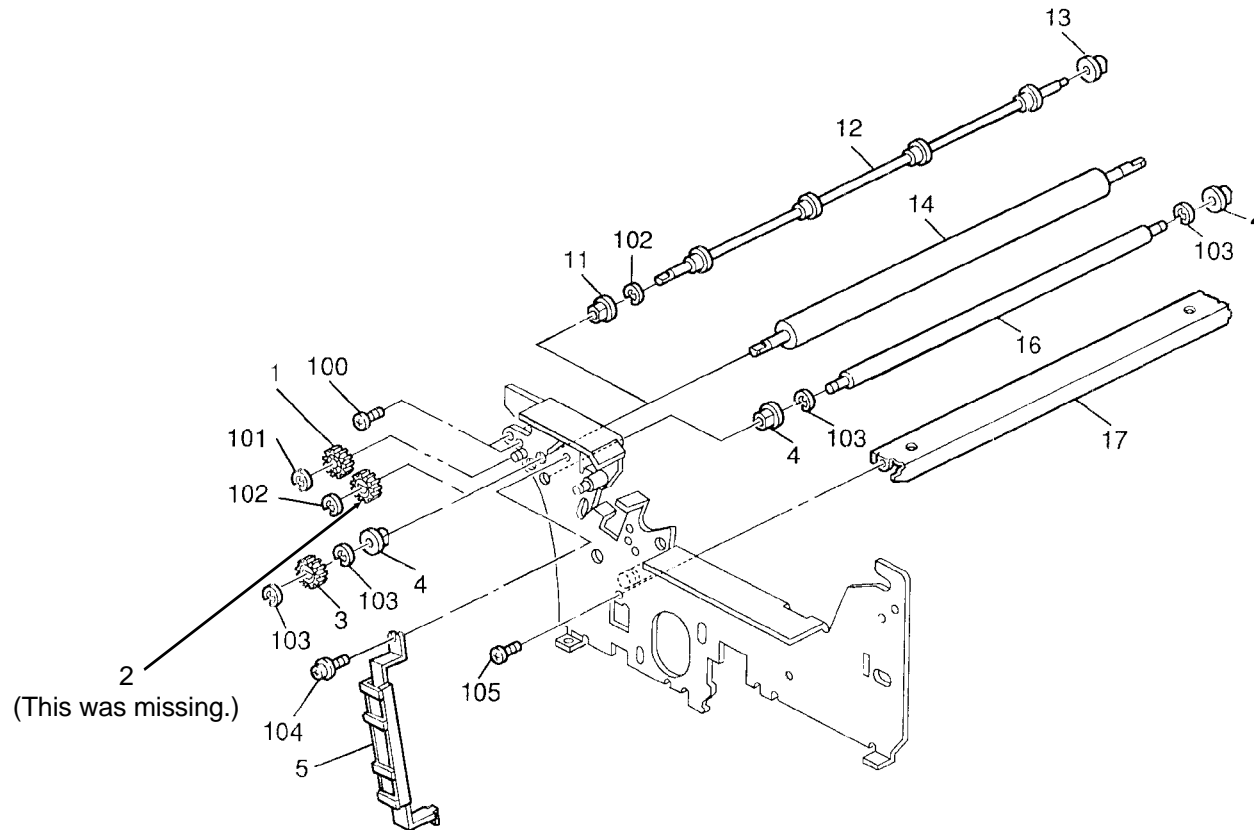
Drawing 7 (Page 58)



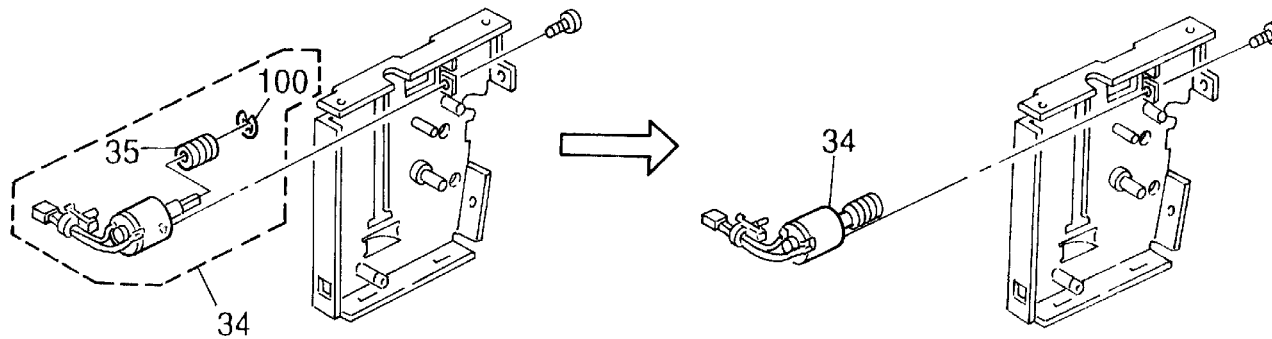
Drawing 8 (Page 58)



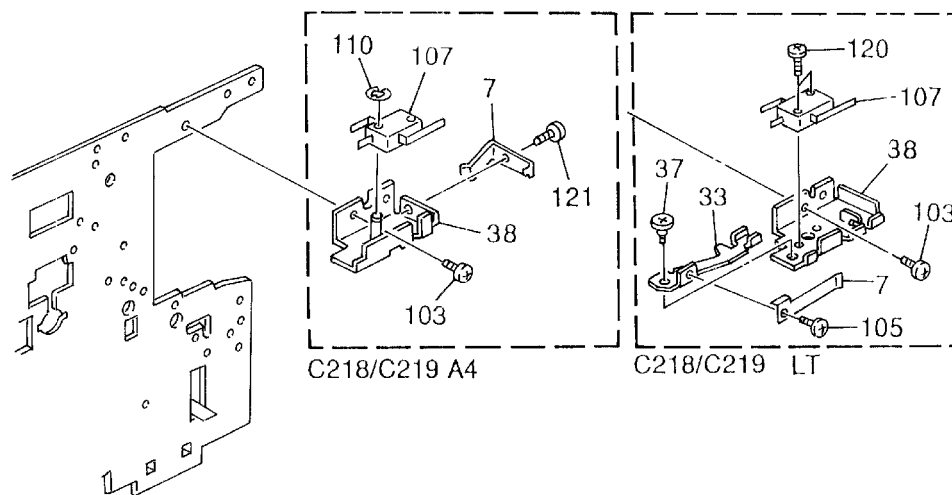
Drawing 9 (Page 74)



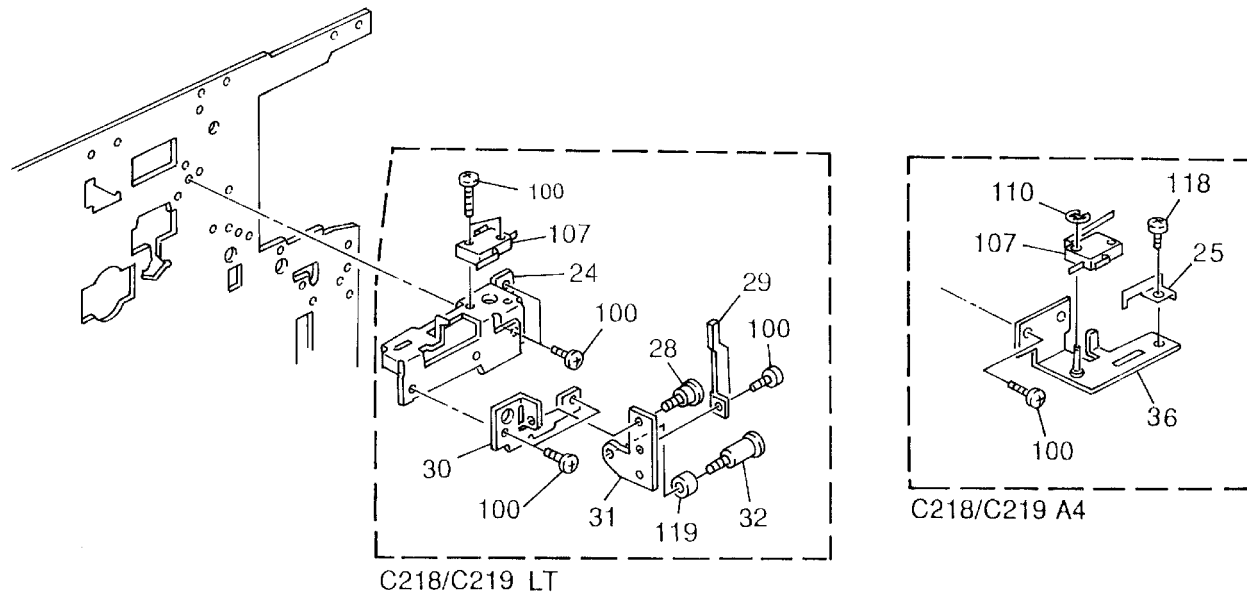
Drawing 10 (Page 76)



Drawing 11 (Page 82)



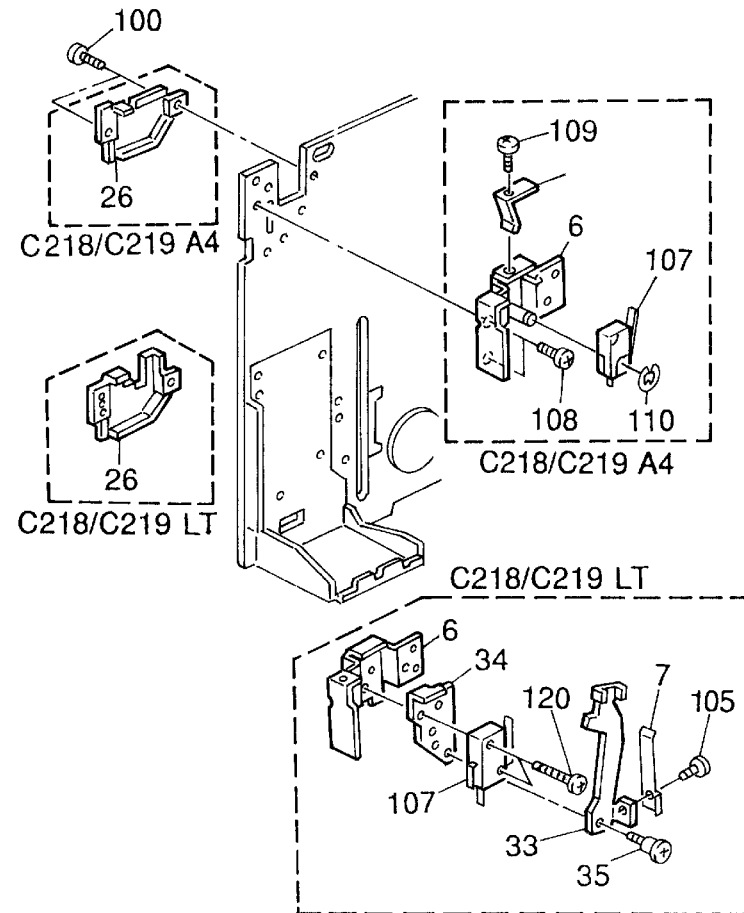
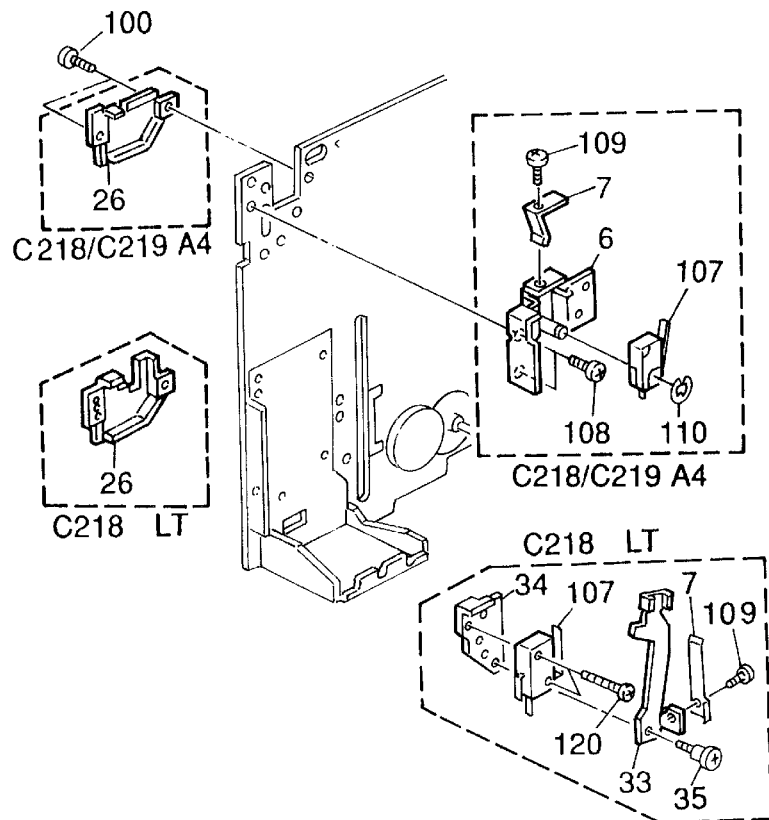
Drawing 12 (Page 82)



Drawing 13 (Page 82)

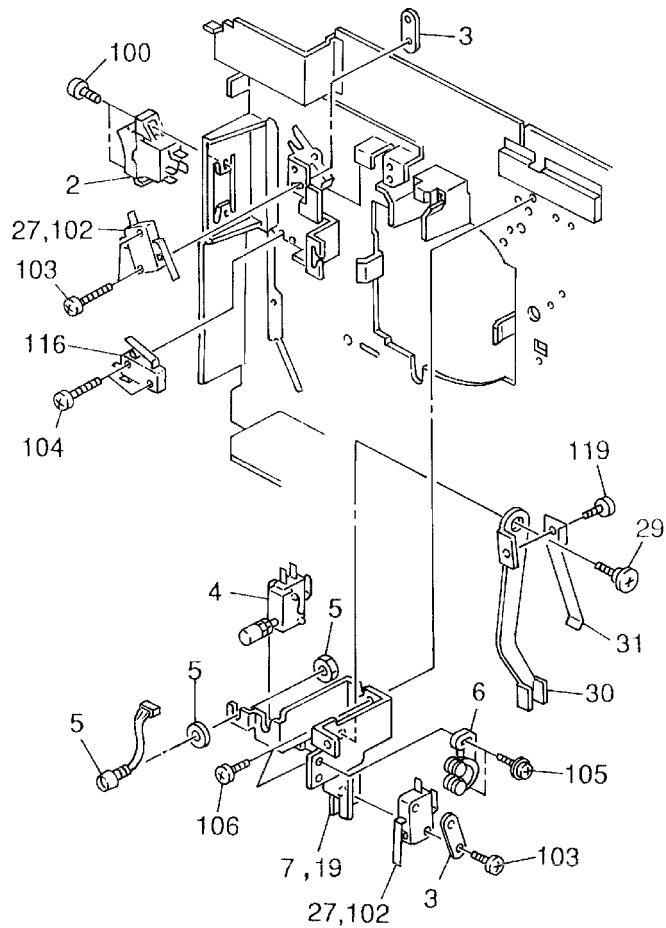
<Incorrect>

<Correct>

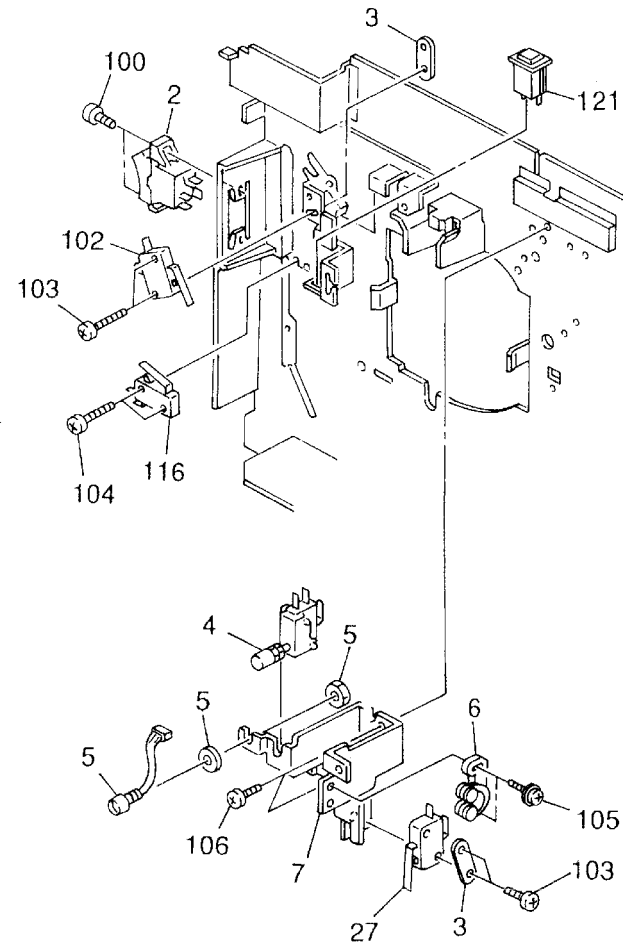


Drawing 14 (Page 84)

<Incorrect>

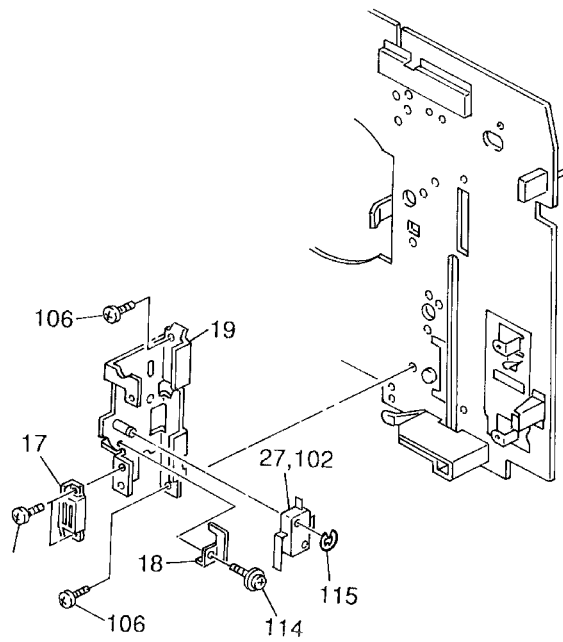


<Correct>

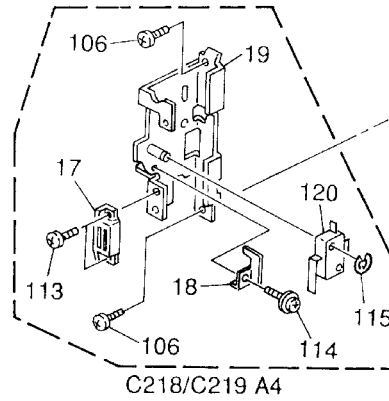


Drawing 15 (Page 84)

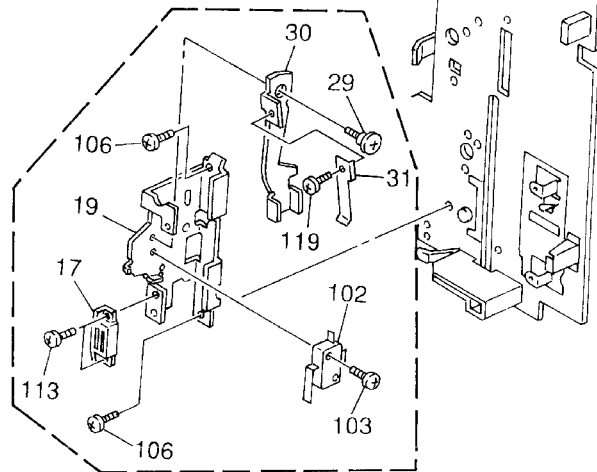
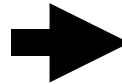
<Incorrect>



<Correct>

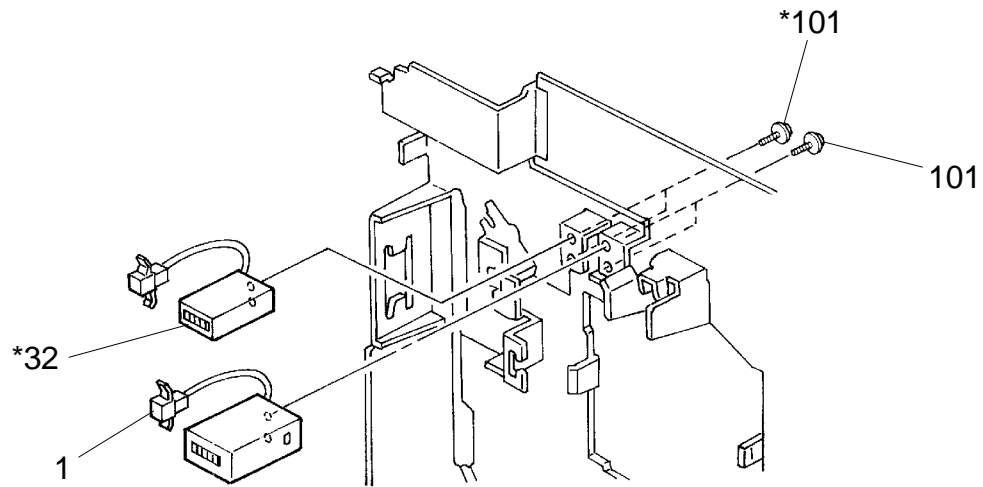


C218/C219 A4



C218/C219 LT

Drawing 16 (Page 84) (NRG Version Only)



MODIFICATION BULLETIN NO. 4

ISSUED ON: July 31, '96

Model		NA3 / NB2 (VT3600/ 2600/ 2630, Ges 5380/5360, Rex 1285/1270, NSA CP380/360, ABD 6770)						Code	Model Name	Serial Number
Modified Article										
Reason for Modification		Due to parts standardization with other models								
Draw No.	Old Parts No.	New Parts No.	Description	Q'ty Used Old→New	Inter-changeability	Parts Catalog		Note		
						NO.	Page			
	C2092004	C2222071	Bottom Stay	2 → 2	O / O	11	15			
	C2154506		Stopper Base (C218)	1 → 0						
		C2194505	Drum Stopper Ass'y (C218/C219)	0 → 1	O / O	1	17			
	C2012226		Gear - 22T (C218)	2 → 0						
		C2192226	Gear - 22Z (C218/C219)	0 → 2	O / O	18	21			
	C2035128	C2245128	Left Rack - Paper Feed	1 → 1	O / O	14	25			
	C2035126	C2245126	Right Rack - Paper Feed	1 → 1	O / O	34	25			

Interchangeability:

The mark to the left of the slash indicates whether the old part can be used in the new machine, and the mark to the right indicates whether the new part can be used in the old machine.

x = Not interchangeable o = Interchangeable

H. Kokubo, 
Priport Service Planning Section

MODIFICATION BULLETIN NO. 4

ISSUED ON: July 31, '96

Draw No.	Old Parts No.	New Parts No.	Description	Q'ty Used Old→New	Inter-changeability	Parts Catalog		Note
						NO.	Page	
	14030539		Photointerruptor - EE-SX450-P1 (C218)	1 → 0				
		AW020041	Photointerruptor (C218)	0 → 1	O / O	101	25	
	C2005207	C2195127	Sectorgear Stud (C218)	1 → 1	X / X	23	35	O / O as a set
	C2035175	C2245101	Sector Gear (C218)	1 → 1	X / X	27	35	
	55015929		Spacer - 5.2 mm x 16 mm x 1 (C218)	1 → 0		41	35	
	07200080Z		Retaining Ring - M8 (C218)	n → n-1		109	35	
	08077018		Washer - M10 (C218)	1 → 0		116	35	
	C2195101	C2245101	Sector Gear (C219)	1 → 1	O / O	27	35	
	C2094713		Hose Clamp	2 → 0				
		C2234713	Hose Band	0 → 2	O / O	24	53	
1	C2096163		Spacer - 10 x 18 x 1 (C218)	3 → 2		8	47	
1	C2096168		End Fence Washer (C218)	3 → 2		10	47	
1	C2096167		Spacer - 10 x 13 x 3.4 (C218)	1 → 0		11	47	
1	C2096122		Front Stay - Delivery Table (C218)	1 → 0		33	47	
1	07078055B		Bushing - M8 x 5.5	1 → 0		103	47	
1	03130060Z		Philips Pan Head Screw - M3 x 6	3 → 2		104	47	

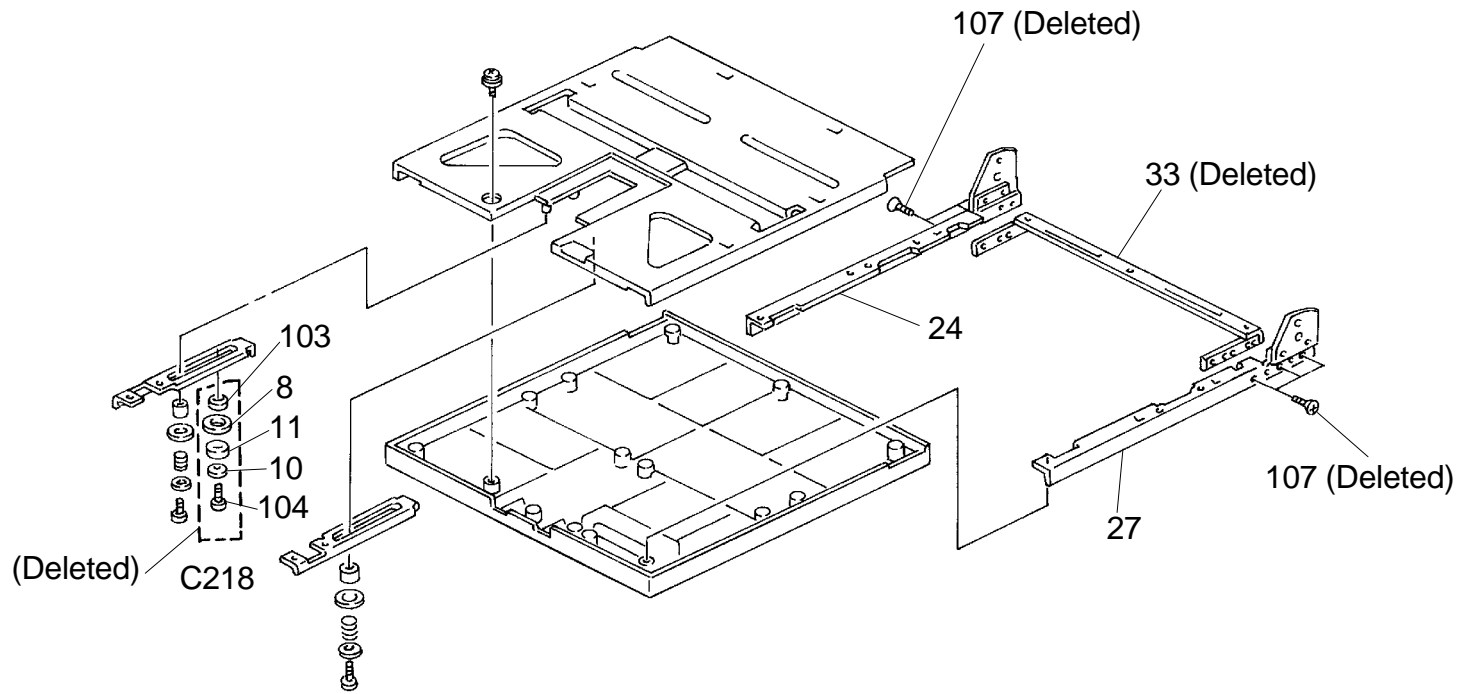
MODIFICATION BULLETIN NO. 4

ISSUED ON: July 31, '96

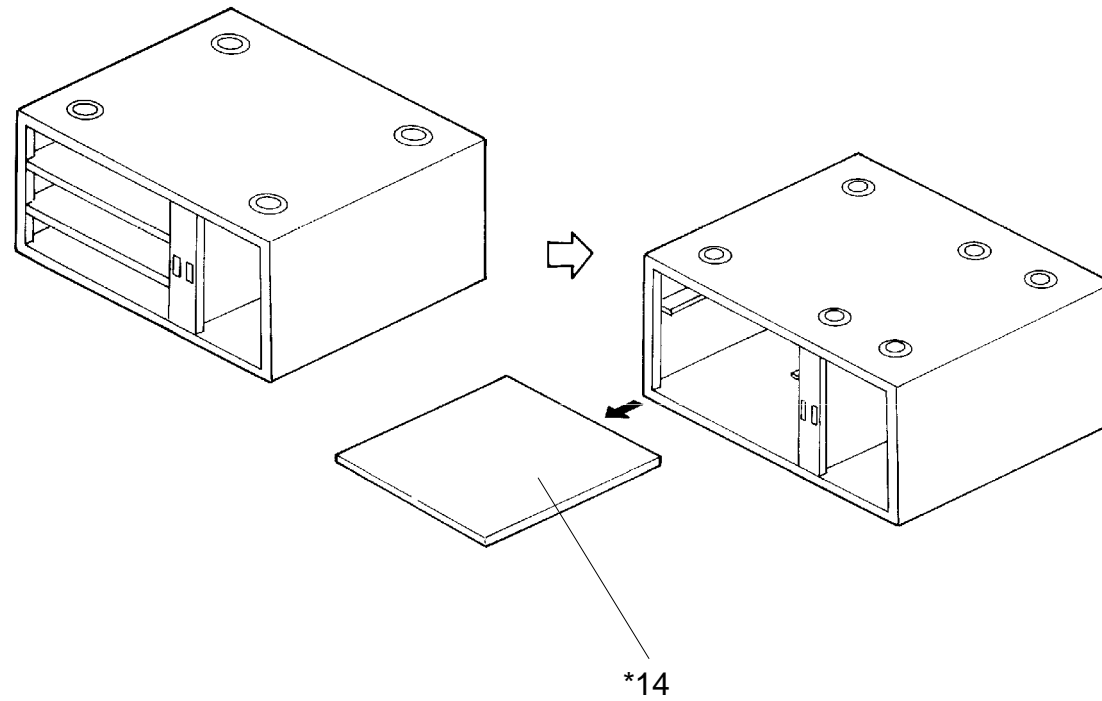
Draw No.	Old Parts No.	New Parts No.	Description	Q'ty Used Old→New	Inter-changeability	Parts Catalog		Note
						NO.	Page	
1	03230060Z		Philips Sunk Screw - M3 x 6	6 → 0		107	47	
1	C2096128		Right Stay - Delivery Table (C218)					O / O as a set
		C2196128	Right Stay - Delivery Table (C218/C219)	0 → 1	X / X	24	47	
	C2096127		Left Stay - Delivery Table (C218)	1 → 0				
		C2196127	Left Stay - Delivery Table (C218/C219)	0 → 1	X / X	27	47	
	C2094670		Ink Pump	1 → 0				
		C2224670	Ink Pump (C219-A4)	0 → 1	O / O	16	53	The old part is still used for the C218 and C219-LT models.
	C2183027	C2233027	Scanner Rear Stay	1 → 1	O / O	7	67	
	C2183023	C2233023	Scanner Front Stay	1 → 1	O / O	23	67	
	C2198037	C2198038	Thermal Head - B4	1 → 1	O / O	1	69	
	C2188037	C2188038	Thermal Head - A3	1 → 1	O / O	1	69	
	C2003545		Upper Belt (C218)					
		C2193545	Upper Belt (C218/C219)	5 → 5	O / O	28	77	
	C2003546		Lower Belt (C218)					
		C2193546	Lower Belt (C218/C219)	5 → 5	O / O	29	77	

DETAILS OF MODIFICATION

Drawing No.1



Drawing No. 2



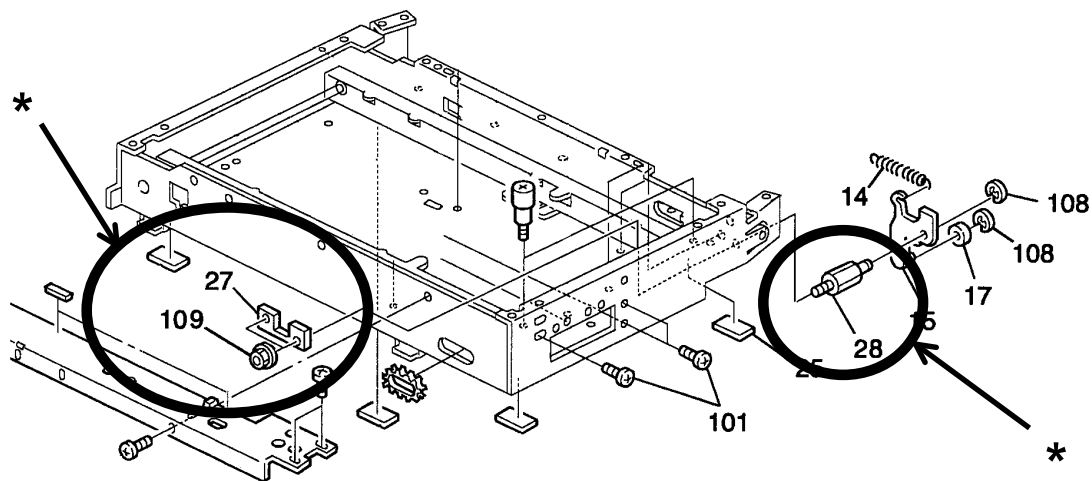
MODIFICATION BULLETIN NO. 4


MODEL NAME	V/Hz	DESTINATION	CODE	SERIAL NUMBER
Ges 5380 / Rex 1285 / NSA CP380	120/60	USA, Canada	C218-12	
Ricoh VT3600	120/60	USA, Canada	C218-17	
A.B.Dick 6770	120/60	USA, Canada	C218-18	
Ges 5380 / Rex 1285 / NSA CP380	220, 240/50	Europe, Asia	C218-22	
Ricoh VT3600	220, 240/50	Europe	C218-27	
Ricoh VT3600	220, 240/50	Asia	C218-29	
Ges 5360 / Rex 1270 / NSA CP360	120/60	USA, Canada	C219-12	
Ricoh VT2630	120/60	USA, Canada	C219-17	
Ges 5360 / Rex 1270 / NSA CP360	220, 240/50	Europe, Asia	C219-22	
Ricoh VT2600	220, 240/50	Europe	C219-27	
Ricoh VT2600	220, 240/50	Asia	C219-29	

Model: PRIPORT NA3/NB2		Date: 30-Sep-97	No: 5
Modified Article: Parts Catalog Correction		Prepared by: <i>H. Kokubo</i>	
From: Priport Service Planning Section		H. Kokubo	
Classification:	<input checked="" type="checkbox"/> Parts catalog correction	<input type="checkbox"/> Vendor change	<input type="checkbox"/> To meet standards
	<input type="checkbox"/> To facilitate assembly	<input type="checkbox"/> To improve reliability	()
	<input type="checkbox"/> Part standardization	<input type="checkbox"/> Other ()	
Model Name: Ricoh VT2600/VT2630/VT3600, Gestetner 5360/5380, RexRotary 1270/1285, nashuatec CP360/CP380, ABDICK 6770			

There were parts missing from the parts catalog. Please add the following parts to your parts catalog.

New #	Description	Qty	Page	Index
C218 3021	Support Plate	1	67	27
C218 3022	Scanner Stopper Shaft	1	67	28
0713 0050B	Hexagon Nut - M5		67	109



Model: PRIPORT NA3/NB2	Date: 15-Apr-98	No: 06
Modified Article: Paper Delivery Roller	Prepared by: 	
From: Priport Service Planning Section	H. Kokubo	
Classification:	<input type="checkbox"/> Parts catalog correction <input type="checkbox"/> Vendor change <input type="checkbox"/> To meet standards <input type="checkbox"/> To facilitate assembly <input checked="" type="checkbox"/> To improve reliability () <input checked="" type="checkbox"/> Part standardization <input type="checkbox"/> Other ()	
Model Name: Ricoh VT2600/VT2630/VT3600, Gestetner 5360/5380, RexRotary 1270/1285, nashuatec CP360/CP380, ABDICK 6770		

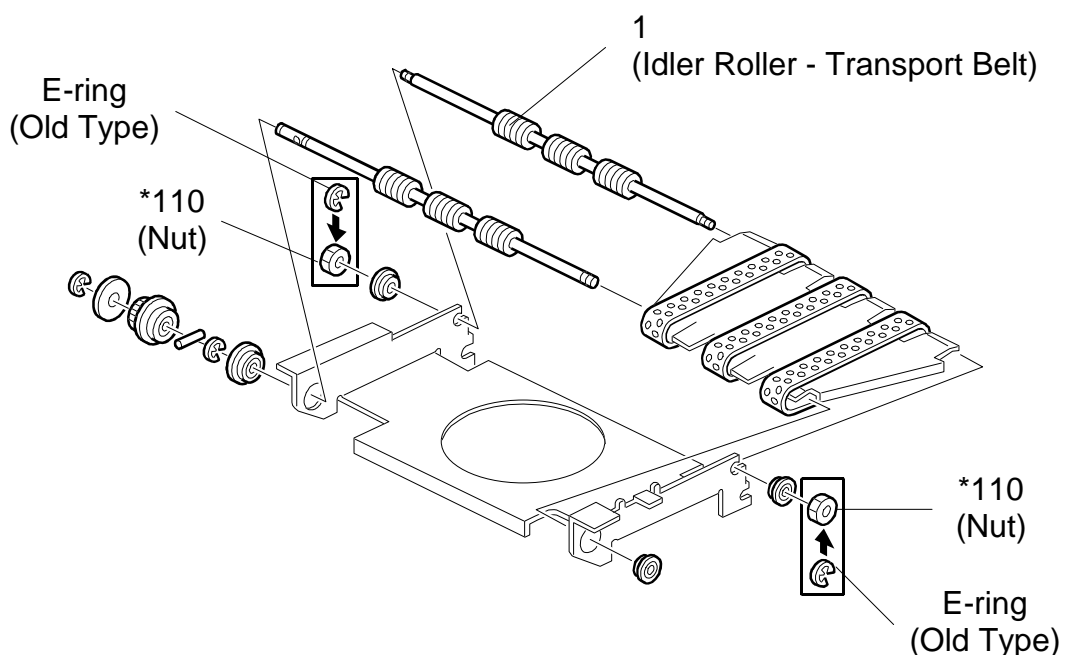
This information is for the NA3 only, and not for the NB2.

Due to part standardization, the idler roller used in the paper delivery vacuum unit (Idler Roller - Transport Belt) has been modified. Both ends of the roller shaft have been threaded to fit with nuts instead of E-rings (Retaining Ring - M4), as shown below.

The new type removes any thrust play between the roller shaft and bearings, and will improve durability (shaft wear will be reduced).


NOTE: The new part can only be used in combination with two nuts (#07120060Z).

Old #	New #	Description	Qty	Int	Page	Index	Note
C209 6019	C223 6019	Idler Roller - Transport Belt	1 - 1	X/X	39	1	
0720 0040Z		Retaining Ring - M4	2 - 0			101	
	0712 0060Z	Hexagon Nut - M6	0 - 2	X/X	39	*110	*: New Index



Model: PRIPORT NA3/NB2**Date:** 15-Apr-98**No: 06**

Model Name	V/Hz	Destination	Code	Serial Number
Ges 5380, Rex1285, Nsa CP380	120/60	USA, Canada	C218-12	Service Parts Only
Ricoh VT3600	120/60	USA, Canada	C218-17	Service Parts Only
ABDICK 6770	120/60	USA, Canada	C218-18	Service Parts Only
Ges 5380, Rex 1285, Nsa CP380	220, 240/50	Europe, Asia	C218-22	Service Parts Only
Ricoh VT3600	220, 240/50	Europe	C218-27	Service Parts Only
Ricoh VT3600	220, 240/50	Asia	C218-29	Service Parts Only
Ges5360, Rex1270, Nsa CP360	120/60	USA, Canada	C219-12	–
Ricoh VT2630	120/60	USA, Canada	C219-17	–
Ges5360, Rex1270, Nsa CP360	220, 240/50	Europe, Asia	C219-22	–
Ricoh VT2600	220, 240/50	Europe	C219-27	–
Ricoh VT2600	220, 240/50	Asia	C219-29	–

Model: PRIPORT NA3/NB2		Date: 15-Jun-99	No: MC218007
Modified Article: Upper and Lower Master Eject Belts		Prepared by: 	
From: Priport Service Planning Section		H. Kokubo	
Classification: <input type="checkbox"/> Parts catalog correction <input type="checkbox"/> Vendor change <input type="checkbox"/> To meet standards <input type="checkbox"/> To facilitate assembly <input checked="" type="checkbox"/> To improve reliability () <input type="checkbox"/> Part standardization <input type="checkbox"/> Other ()			
Model Name: Ricoh VT2600/VT2630/VT3600, Gestetner 5360/5380, RexRotary 1270/1285, nashuatec CP360/CP380, ABDICK 6770			

The upper and lower master eject belts have been changed as follows. The new parts have more tolerance against stretching when used over a long period of time.

Old #	New #	Description	Qty	Int	Page	Index
C219 3605	C219 3611	Upper Belt	5 (4) → 5 (4)	X/O	77	28
C219 3606	C219 3612	Lower Belt	5 (4) → 5 (4)	X/O	77	29

NOTE: Four upper and lower belts are in the sets for the NB2 models, and 5 in the sets for the NA3 models.

Model: PRIPORT NA3/NB2**Date:** 15-Jun-99**No:** MC218007**CUT IN SERIAL NUMBERS**

Model Name	V/Hz	Destination	Code	Serial Number
Ges 5380, Rex1285, Nsa CP380	120/60	USA, Canada	C218-12	Service Parts Only
Ricoh VT3600	120/60	USA, Canada	C218-17	Service Parts Only
ABDICK 6770	120/60	USA, Canada	C218-18	Service Parts Only
Ges 5380, Rex 1285, Nsa CP380	220, 240/50	Europe, Asia	C218-22	Service Parts Only
Ricoh VT3600	220, 240/50	Europe	C218-27	Service Parts Only
Ricoh VT3600	220, 240/50	Asia	C218-29	Service Parts Only
Ges5360, Rex1270, Nsa CP360	120/60	USA, Canada	C219-12	Service Parts Only
Ges5360, Rex1270, Nsa CP360	220, 240/50	Europe, Asia	C219-22	5510 9040001
Ricoh VT2600	220, 240/50	Europe	C219-27	Service Parts Only
Ricoh VT2600	220, 240/50	Asia	C219-29	C327 9040001